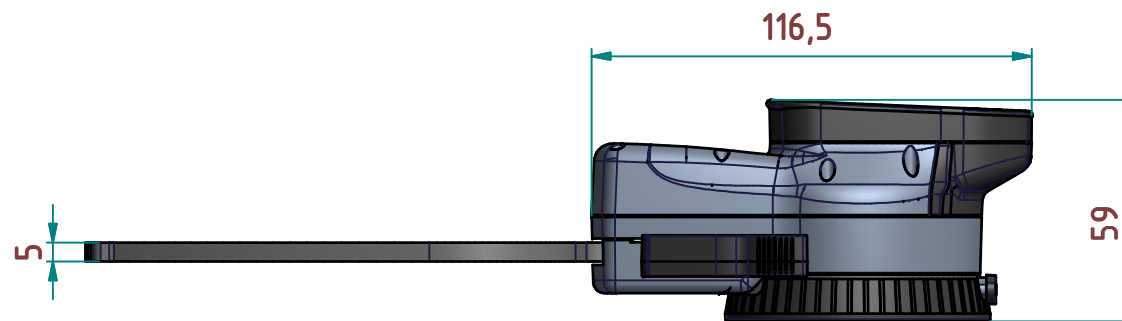
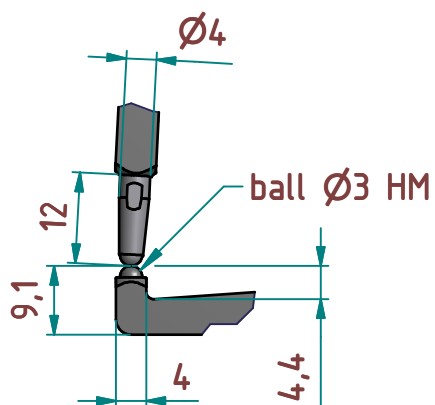


B (1 : 1)



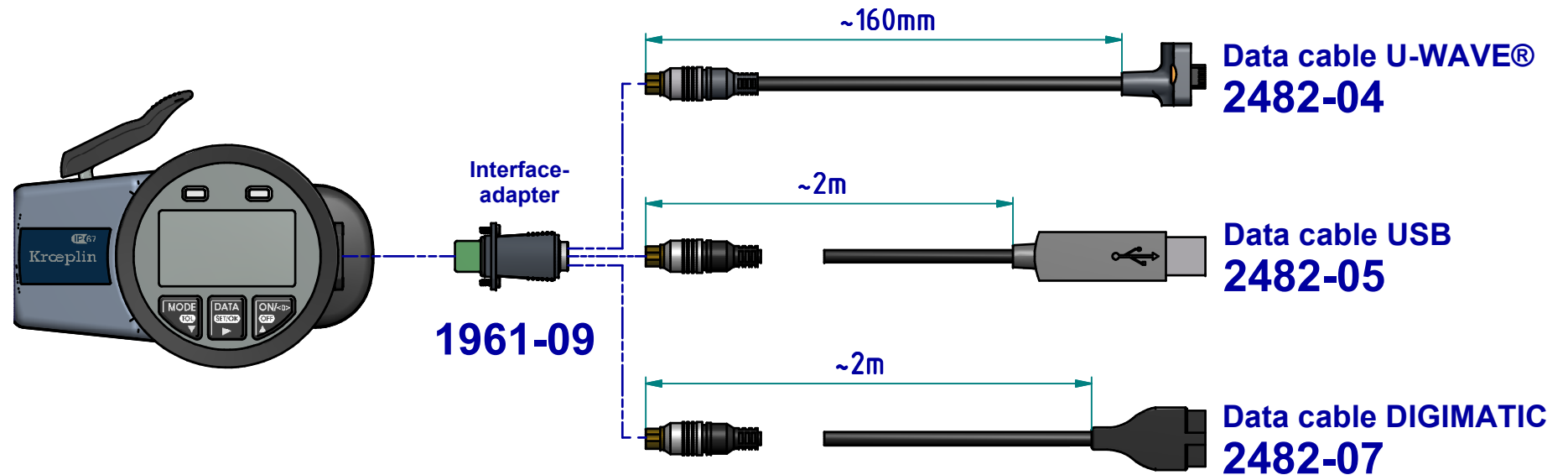
subject to technical alterations

type: E200
range: 0 - 30 mm
range of indication: 0 - 30,5 mm
digital step: 0,02 mm
scale interval:
measuring force: 0,9 - 1,6 N
weight: 410 g

acceptable deviations
VDI/VDE/DGQ 2618 Bl. 12.1/13.1)
max. permissible
errors "G": 0,04 mm
repeatability "r": 0,02 mm
reference temperature: 20° C
operation temperature: 10° C - 30° C
storage temperature: -10° C - 50° C

scale: 1 : 2
drawing-nr.: DAB-C3R30_KR_en
date of issue: 10.04.2013
name: Lange
revision status:
revision date:

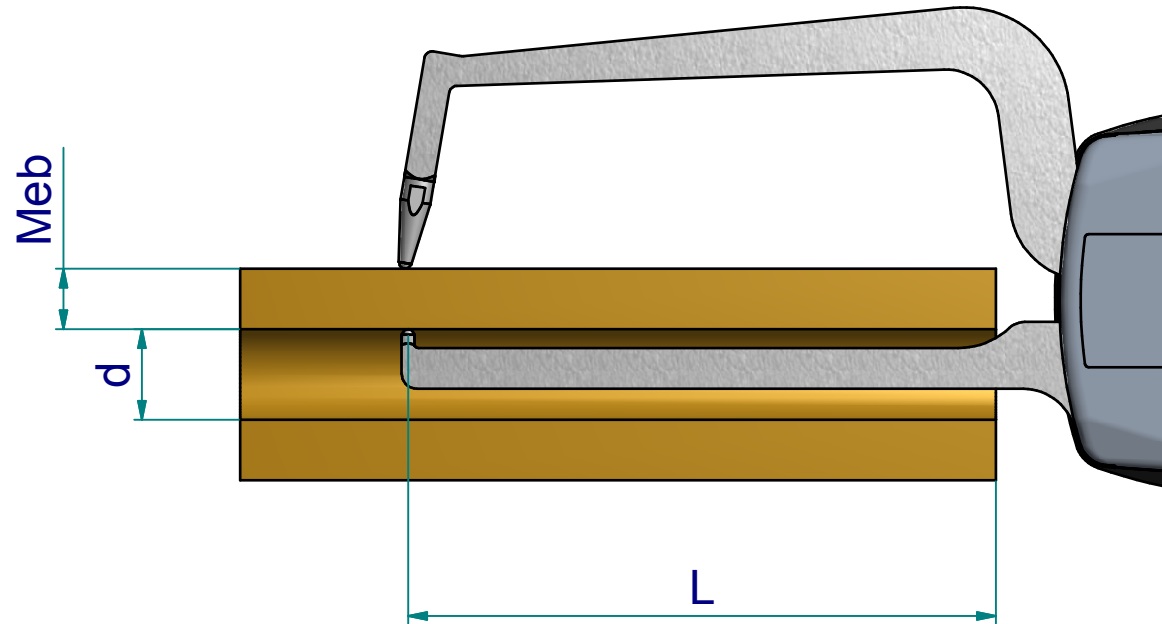
interface as accessories available:



subject to technical alterations

drawing-nr.: DAB-C3R30_KR_en
date of issue: 10.04.2013
name: Lange

revision status:
revision date:



measuring capacity

measuring range **Meb** [mm]

	0,5	2	4	6	8	10	12	15	18	20
10	5	3	2	1	1,5	2	2,5	3	3,5	4
11	86,8	32,8	24,9	23,3	23,6	25,0	27,3	32,8	42,6	54,0
12	123,5	64,2	48,8	45,8	46,4	49,0	53,5	64,2	83,3	105,6
13	123,5	95,6	72,7	68,2	69,1	73,1	79,6	95,6	116,8	116,6
14	123,5	127,0	96,6	90,7	91,9	97,1	105,8	117,4	117,2	116,7
>15	123,5	127,2	119,4	112,0	113,5	119,6	118,6	117,4	116,8	116,5
L										

L = maximum usable arm length [mm]

Example:
d = 11 Meb = 4 L = 24,9

subject to technical alterations

drawing-nr.: CAD-C3R30_KR_en
date of issue: 03.07.2013
name: Lange

revision status:
revision date: