

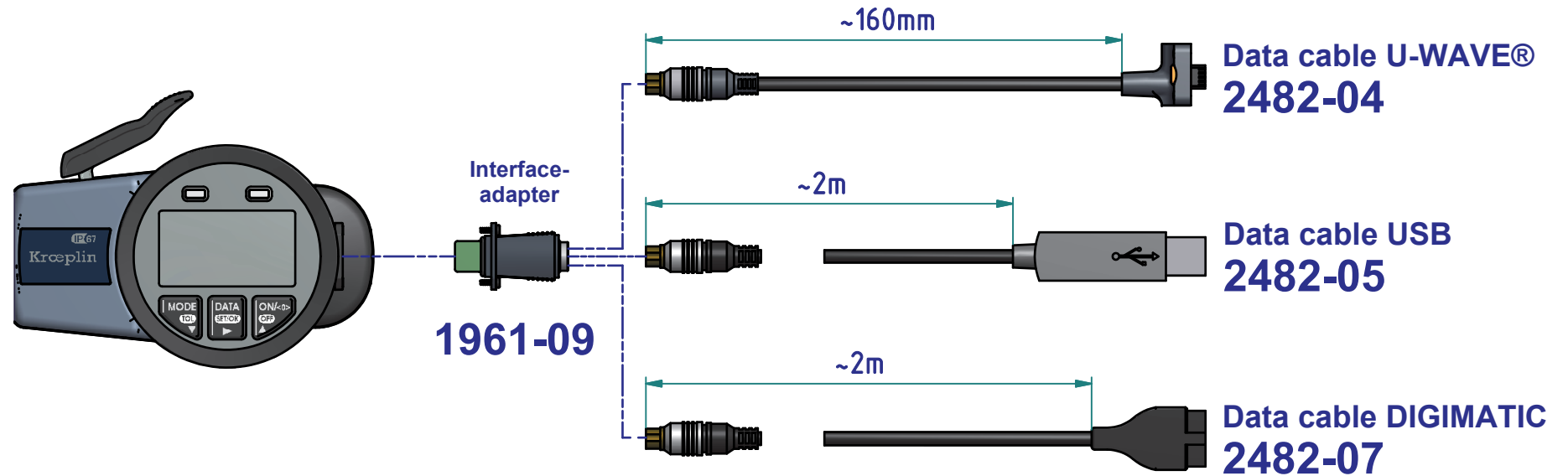
subject to technical alterations

type: E200  
range: 0 - 50 mm  
range of indication: 0 - 50,5 mm  
digital step: 0,02 mm  
scale interval:  
measuring force: 0,8 - 1,7 N  
weight: 500 g

acceptable deviations  
VDI/VDE/DGQ 2618 Bl. 12.1/13.1)  
max. permissible  
errors "G": 0,08 mm  
repeatability "r": 0,06 mm  
reference temperature: 20° C  
operation temperature: 10° C - 30° C  
storage temperature: -10° C - 50° C

scale: 1:2  
drawing-nr.: DAB-C450T\_KR\_en  
date of issue: 10.04.2013  
name: Lange  
revision status:  
revision date:

interface as accessories available:



subject to technical alterations

drawing-nr.: DAB-C450T\_KR\_en  
date of issue: 10.04.2013  
name: Lange

revision status:  
revision date: