

subject to technical alterations

type: L
range: 10 - 30 mm
range of indication: 9,5 - 30,5 mm
digital step: 0,01 mm
scale interval: -
measuring force: 1,1 - 1,6 N
weight: 270 g

acceptable deviations
VDI/VDE/DGQ 2618 Bl. 12.1/13.1)
max. permissible errors "G": 0,03 mm
repeatability "r": 0,01 mm
reference temperature: 20° C
operation temperature: 10° C - 30° C
storage temperature: -10° C - 50° C

scale: 1:1
drawing-nr.: DAB-L210-K-e
date of issue: 21.01.2020
name: B. Schmidt
revision status:
revision date:

measuring capacity

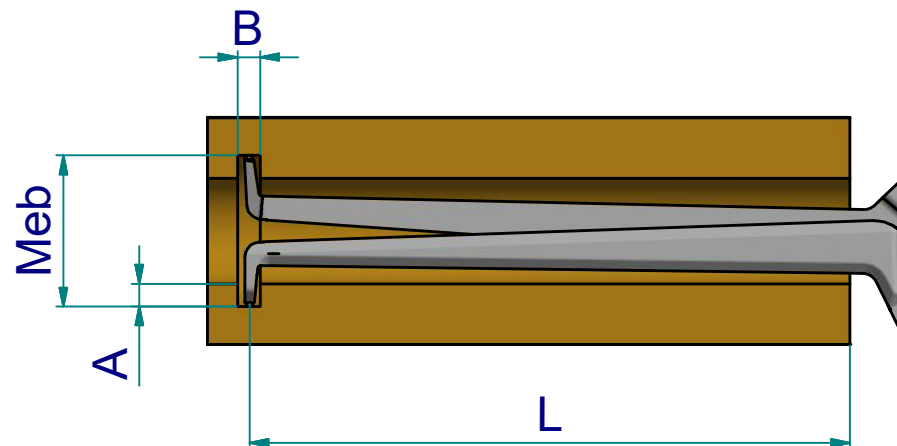
measuring range Meb [mm]

groove depth A [mm]	measuring range Meb [mm]									
	10	12	14	16	18	20	22	25	30	
0	0 / 82,7	0 / 83,5	0 / 83,5	0 / 83,7	0 / 83,9	0 / 84,2	0 / 84,5	0 / 85,0	0 / 85,9	
1		1,7 / 82,0	1,5 / 83,1	1,5 / 83,2	1,5 / 83,4	1,5 / 83,7	1,5 / 84,0	1,5 / 84,5	1,5 / 85,4	
2			1,9 / 81,7	1,8 / 81,8	1,7 / 82,1	1,7 / 82,3	1,6 / 82,6	1,6 / 84,0	1,6 / 84,8	
3				2,0 / 76,4	1,9 / 82,1	1,8 / 82,7	1,8 / 83,0	1,7 / 83,4	1,7 / 84,3	
4					2,3 / 52,1	2,0 / 70,8	1,9 / 82,0	1,8 / 82,9	1,8 / 83,8	
4,5						2,6 / 42,6	2,2 / 71,0	2,0 / 82,7	1,9 / 83,5	
5						4,0 / 14,3	3,3 / 23,9	2,9 / 82,1	2,3 / 83,2	
	B / L									

B = minimum groove width [mm]

L = maximum usable arm length [mm]

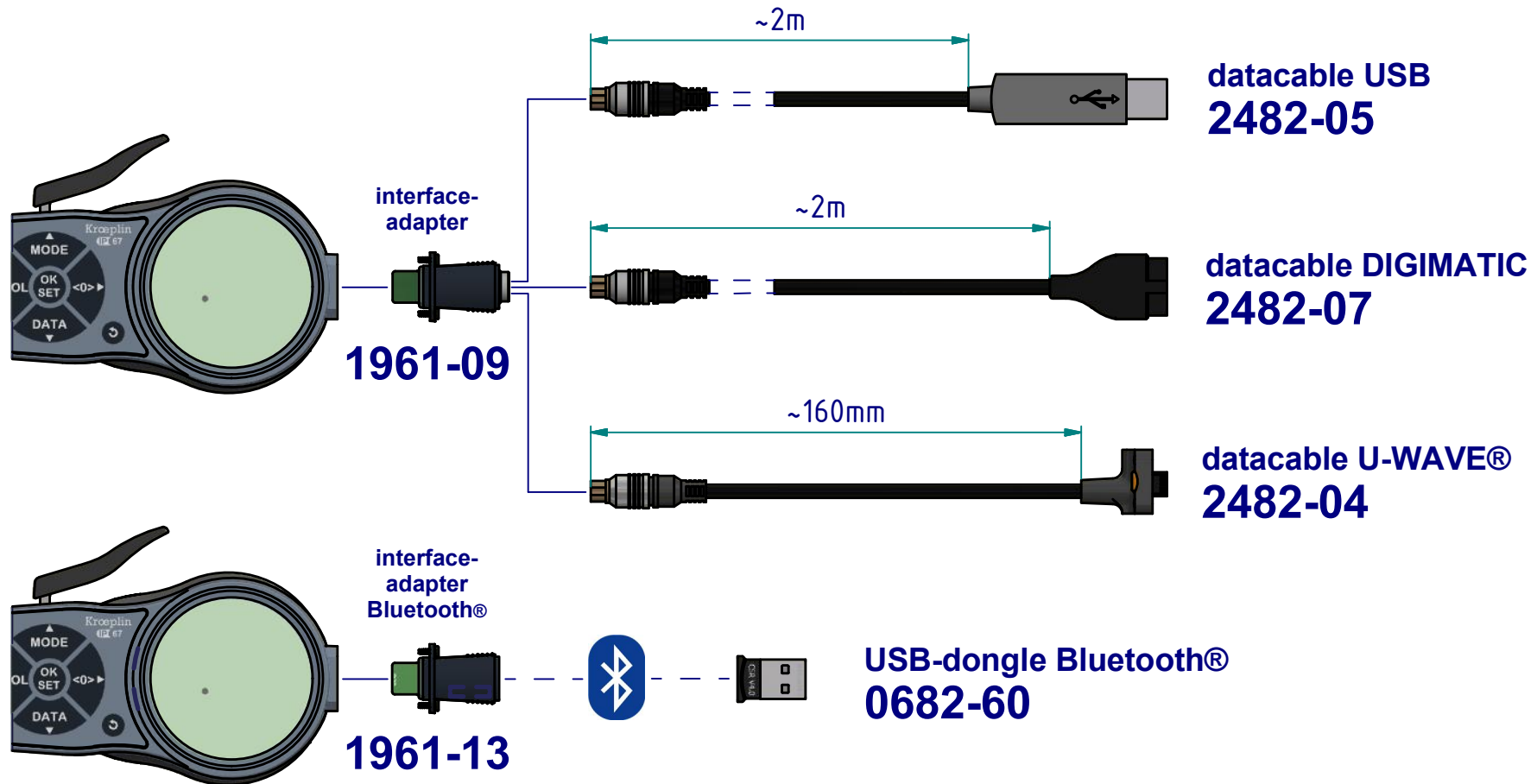
Example: Meb = 16 B = 1,8
 A = 2 L = 81,8



subject to technical alterations

drawing-nr.: DAB-L210-K-e
date of issue: 21.01.2020
name: B. Schmidt
revision status:
revision date:

interface as accessories available:



subject to technical alterations

drawing-nr.:	DAB-L210-K-e
date of issue:	21.01.2020
name:	B. Schmidt
revision status:	
revision date:	